

Snowman Ornament

for the Christmas tree

©2013 France Nadeau



- ❁ Skill level: low
- ❁ Finished size: 10 cm / 4"

About the Snowman Ornament

Here are snowmen coming right from the forest. They stand out with their frozen berries and evergreen branches. They will certainly feel at home in your Christmas tree. I've chosen red berries, green branches, golden ribbon and golden thread, but you can change the colors to your taste.

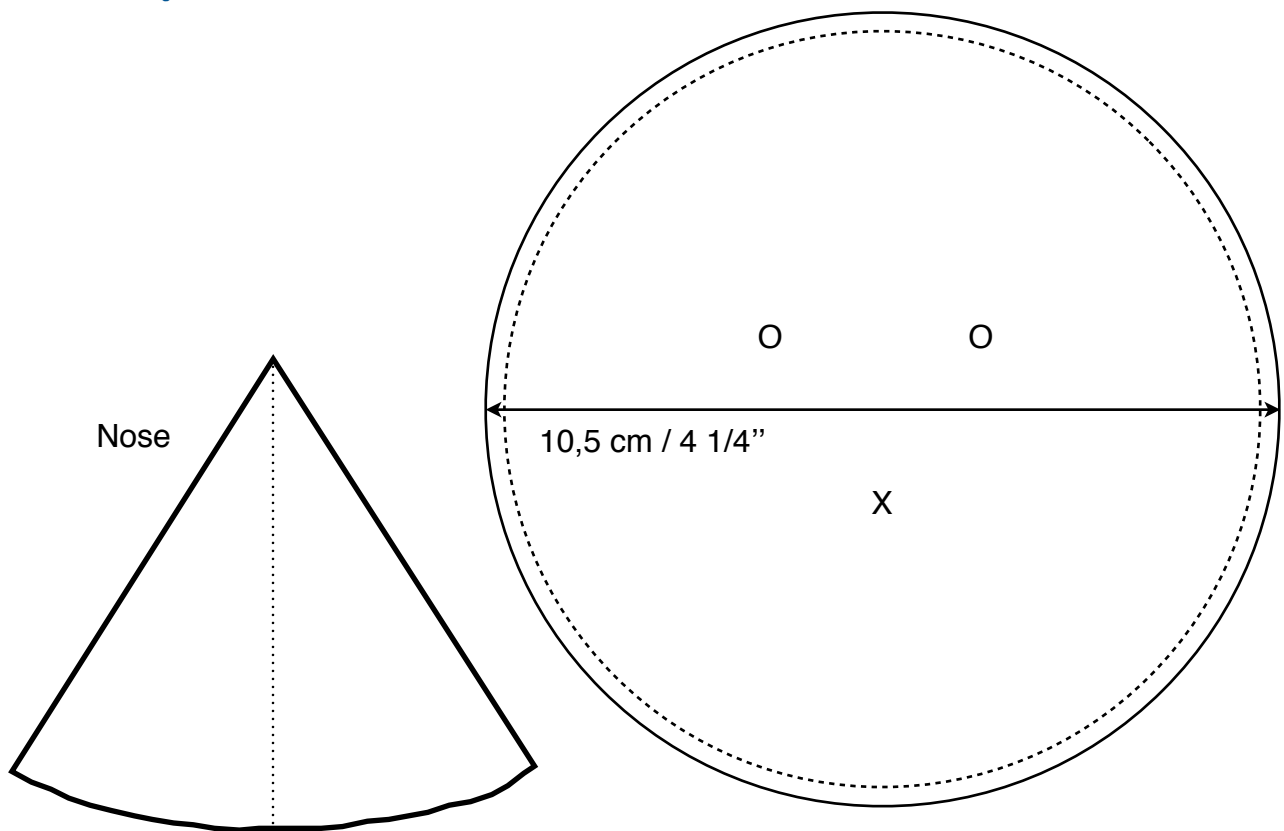
Skill Level

Low

Finished Size

Snowman's diameter: 10 cm / 4"

Planning



Materials

- dull white fabric, new or recycled, for the head (cotton, felted wool, wool, textured polyester, old t-shirt, etc.)
- orange fabric for the nose
- white thread
- orange thread
- polyester or cotton fiber fill, pieces of fabric, pieces of yarn, etc.
- white glue or glue gun
- evergreen branches made of plastic
- berries made of plastic
- ribbon
- thread coordinated with the ribbon (sewing thread, embroidery thread, etc.) to hang the ornament in the Christmas tree
- beads of approximately 8 mm / 3/8" coordinated with the ribbon
- black beads of approximately 4 mm / 1/8" for the eyes
- cotton balls for the hair

Instructions

See drawing on page 5.

- A) Cut two circles in your white fabric, using the pattern on page 2. Sew the two circles together, front to front, leaving a gap of approximately 4 cm - 1 1/2". Turn inside out.
- B) Fill with polyester or cotton fiber fill, or pieces of fabric, or pieces of thread, etc. Hand sew the gap.
- C) Cut a triangle in your orange fabric, using the nose pattern on page 2. Fold in two on the folding line, front to front, and sew along the straight side to form a cone. Turn inside out.
- D) Fill the nose. Hand sew on the snowman face, at the place marked with a X on the pattern.

- E) Stretch a cotton ball and glue on the head to make hair. *Be careful if you use a glue gun as to not put hot glue on your fingers -- it is very hot!*
- F) Cut a 30,5 cm / 12" piece of thread coordinated with your ribbon. Sew on the top of the head, to create a loop to hang the snowman in the Christmas tree (or on a door knob...).
- G) Cut a 122 cm / 48" piece of the same thread as in F, fold in four parts and glue on top of the head so it falls on each side of the head. Cut the folded ends to separate each thread. You will have 4 threads on each side of the head (see drawing on page 5).
- H) Cut a 15 cm / 6" strip of ribbon. Make a cut at each end to create pointed ends. Fold the ribbon in half and glue on the head, the pointed ends toward the front of the face. Be careful not to obstruct the loop sewn in F.



- I) Cut branches of evergreen and glue on each side of the ribbon. Place the tips with the glue under the ribbon (to hide the glue). Be careful not to obstruct the loop sewn in F.
- J) Cut a branch of berries and glue on the left side of the ribbon. Place the tip with the glue under the ribbon (to hide the glue). Be careful not to obstruct the loop sewn in F.
- K) Glue 3 beads of approximately 8 mm / 3/8" in the center of the ribbon (see drawing on page 5).
- L) Glue 2 black beads of approximately 4 mm / 1/8" where there is a O on the pattern on page 2.

Snowman Ornament for the Christmas Tree 5

