

Heart Stitchery Tutorial ©2014 France Nadeau



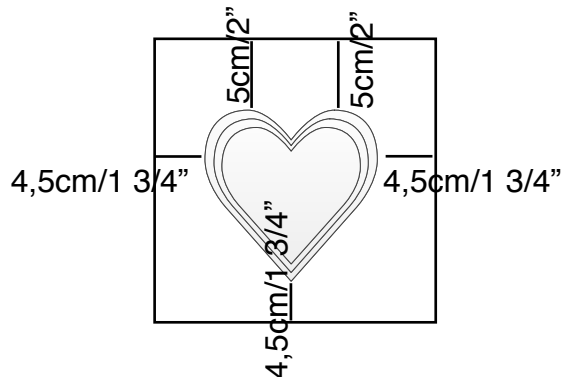
Materials

- Solid fabric, beige or white, ironed
- Embroidery floss: red (DMC 815 et 816), beige (DMC 420 et 435), green (DMC 3346)
- Embroidery needle
- Embroidery hoop
- Pencil
- Tracing paper (or any other transparent paper; at worst regular paper)
- Scissors

Instructions

1. Place a sheet of tracing paper over the pattern of the three hearts. Transfer the pattern on the tracing paper by drawing all the lines with a pencil.
2. Cut a 24 cm / 9 1/2" square out of your solid fabric.

3. Place the tracing paper in the center of the square previously cut (the side with the drawing made with the pencil directly on the fabric). Transfer the pattern on the fabric by drawing again all the lines with a pencil. Here are the distances between the sides of the fabric and the biggest heart:

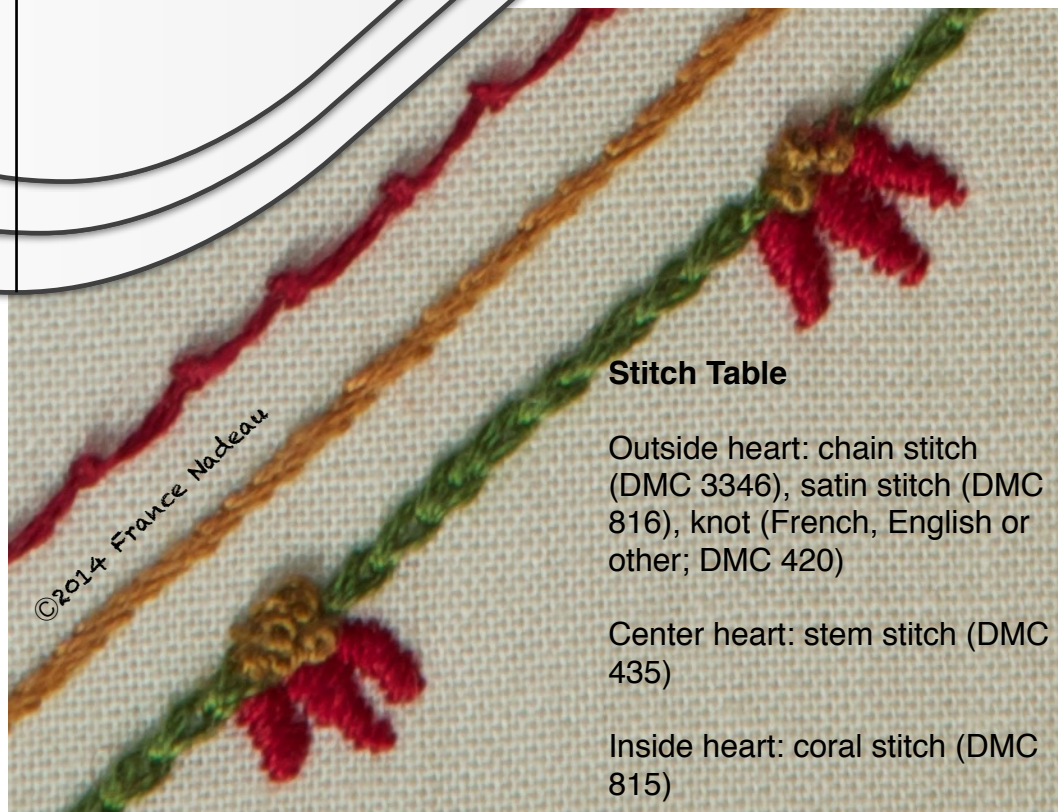
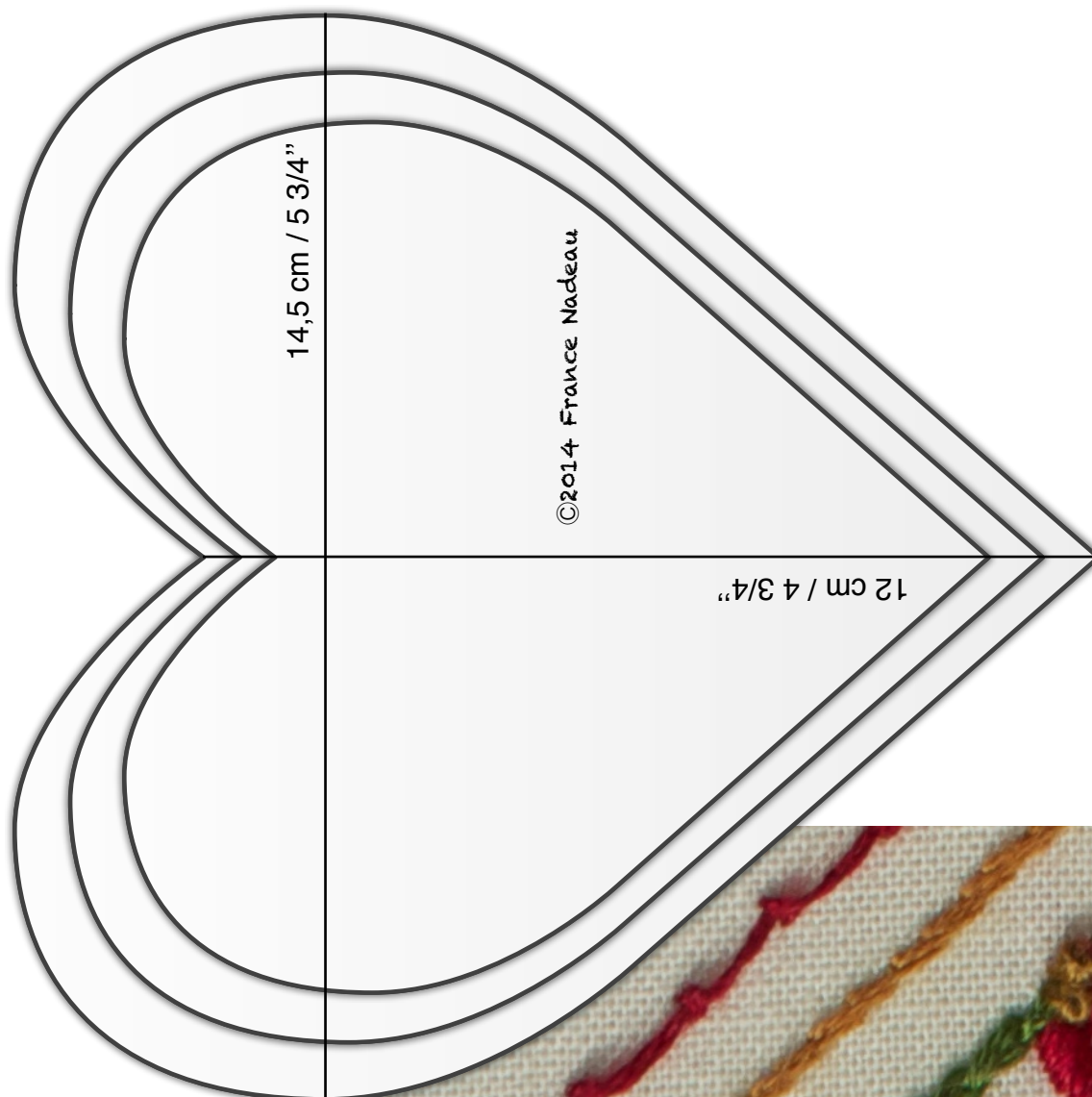


4. Stitch by following the stitch table you will find next to the pattern. Start with the bottom tip of the heart and continue counterclockwise if you are right-handed (clockwise if left-handed).



Have fun and send me a picture of your heart! I would love to see it!
(france@francenadeau.com)

Heart Stitchery Tutorial ©2014 France Nadeau



Stitch Table

Outside heart: chain stitch (DMC 3346), satin stitch (DMC 816), knot (French, English or other; DMC 420)

Center heart: stem stitch (DMC 435)

Inside heart: coral stitch (DMC 815)